

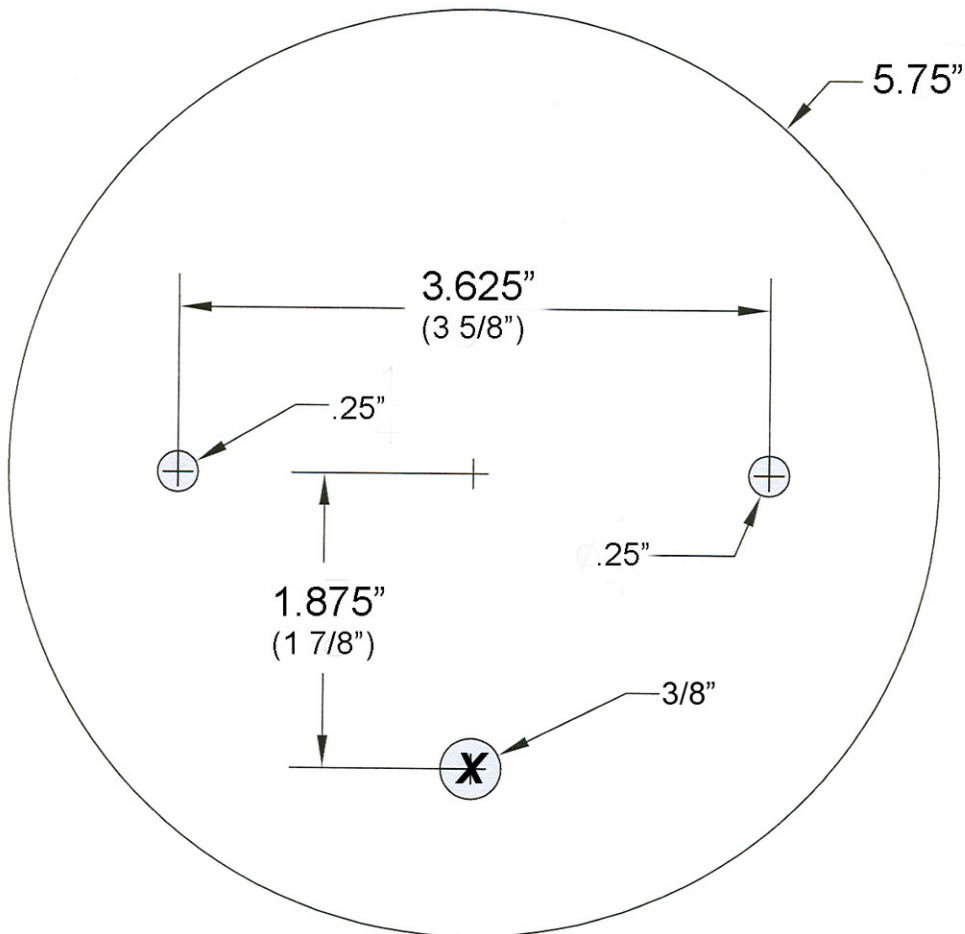
# RECOMMENDED MOUNTING INSTRUCTIONS

## For Light Series - TR2, TR3

**\*\*\*Proper installation of this product is the sole responsibility of the installer\*\*\***

1. Locate a flat surface on vehicle and position light parallel to the ground.
2. In the interior of the vehicle, loosen upholstery at mounting location.
3. Use center-punch if available to start three (3) mounting holes using the diagram below as a template. Drill two holes out using a 1/4" drill bit, and the third using a 3/8" drill bit.
4. Insert wire through bottom center hole (X) and position mounting bolts in 1/4" holes.
5. Connect **red wire** to power (+) and **black wire** (if provided) to ground (-)
6. If black wire is not provided, light is grounded to a metal surface thru the mounting bolts
7. Follow wiring instructions for a switch if provided ----- TEST LIGHT
8. Install washers and hex nuts and tighten down mounting bolts until rubber base seals light to the surface of the vehicle.
9. Replace upholstery to original position if applicable.

**Check label for proper mounting direction**



**\*\*\*\*\*CLEAN LENS WITH WATER ONLY\*\*\*\*\***

*\*DRAWING NOT TO SCALE\**